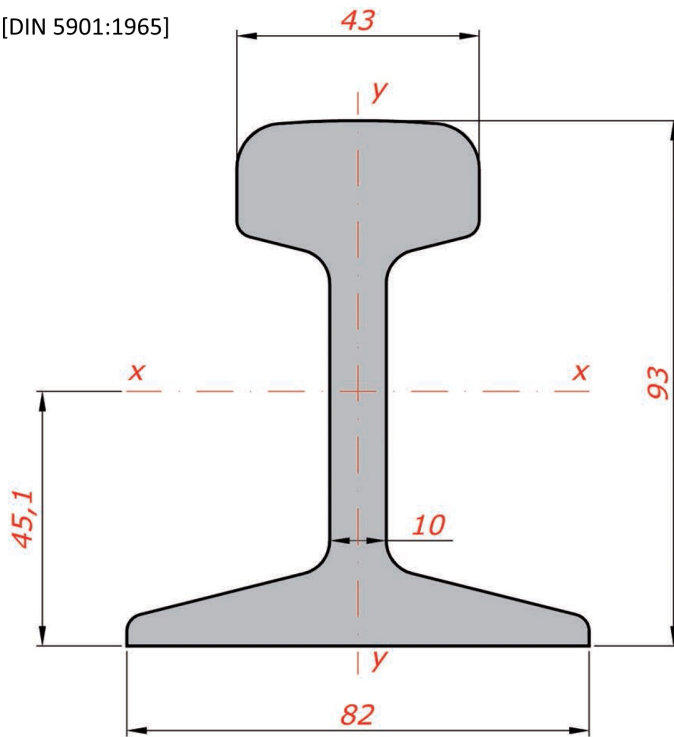


S18 [DIN 5901:1965]



MASS	18,3	kg/m
AREA	23,14	cm ²
MOMENT OF INERTIA x-x	278	cm ⁴
MOMENT OF INERTIA y-y	-	cm ⁴
SECTION MODULUS x-x - HEAD	58,1	cm ³
SECTION MODULUS x-x - BASE	61,6	cm ³
SECTION MODULUS y-y	-	cm ³

DaruSín Kft.

H-2400 Dunaújváros, Északi ipari park, Neumann J. u. 16.

Tel: +36 25 503 930 | Fax: +36 25 503 931

Email: darusin@darusin.hu | Web: www.darusin.hu