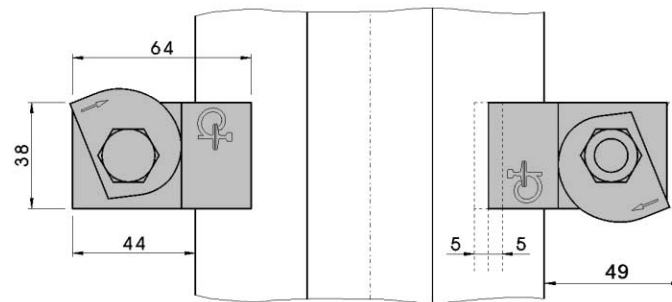


Use 4 mm-thick pad only.

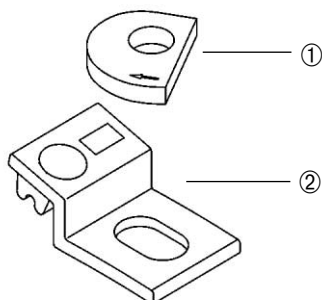


* For mounting on concrete + metallic plate, please contact us.

CLIPS	C max mm	Tightening torque (Nm)		Est'd weight kg
		4.6	8.8	
51/015/AN	22	30	80	0,140
51/015/BN	26			0,170
Admissible side load (kN)		10	15	

N : nose height, not compressed, adapted to the rail type (see table overleaf).

SUB-PARTS



Full designation	
51/015/AN or 51/015/BN	
Components	
①	1x 51/015/C
②	1x 51/015/22/N or 51/015/26/N

Anti-corrosion coating :
see leaflet "Patented bolttable clips".



CLIP



51/015

CLIP SELECTION FOR EACH RAIL

	F mm	K mm	H mm	Weight kg/m	Mounting	
					with	without
					4 mm pad	
A 45	125.0	45.0	55.0	22.10	51/015/BH	51/015/AH
Vign 15	66.0	42.0	84.0	15.15	51/015/BI	51/015/AI
S 10	58.0	32.0	70.0	10.00	51/015/BI	51/015/AI
S 14	70.0	38.0	80.0	14.00	51/015/BI	51/015/AI
S 18	82.0	43.0	93.0	18.30	51/015/BI	51/015/AI
S 20	82.0	44.0	100.0	19.80	51/015/BH	51/015/AH
S 30	108.0	60.0	108.0	30.03	51/015/BH	51/015/AH
ASCE 40	88.9	47.6	88.9	19.84	51/015/BI	51/015/AI
JIS 12	69.8	38.1	69.8	12.20	51/015/BI	51/015/AI
JIS 15	79.4	42.9	79.4	15.20	51/015/BI	51/015/AI
JIS 22 (AS 22)	93.7	50.8	93.7	22.90	51/015/BH	51/015/AH
16 BR	108.0	44.5	54.0	16.03	51/015/BH	51/015/AH
P 24 (R 24)	92.0	51.0	108.0	24.90	51/015/BH	51/015/AH

For rail sections other than those listed on this page, please contact us.

We reserve the right to discontinue or change specifications or design at any time without prior notice and without incurring any obligation whatsoever.

DaruSín Kft.

Hungary, 2400 Dunaújváros, Neumann J. u. 16 • Tel: +36 25 503 930 • Fax: +36 25 503 931
E-mail: darusin@darusin.hu • webpage: www.darusin.hu