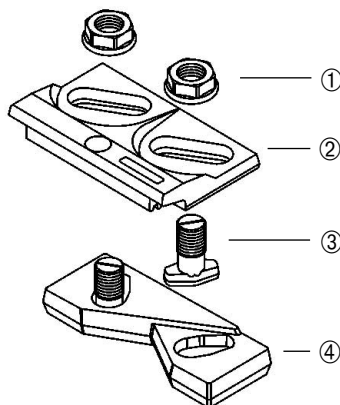


* For mounting on concrete + metallic plate, please contact us.

CLIPS	C max	Tightening torque	Admissible side load	Est'd weight
	mm	Nm	kN	kg
22/200/BN	45	250	200	2,600
22/200/CN	52			2,800

N : nose height, not compressed, adapted to the rail type (see table overleaf).

MOUNTING INFORMATION



Bolts and nuts are hot dip galvanized.

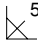
Full designation	
22/200/BN or 22/200/CN	
Components	
①	2x Sp M20 - Cl. 8
②	1x 22/200/40/N or 22/200/50/N
③	2x TM M20 x 46 - 8.8
④	1x 22/200/23

Anti-corrosion coating : see leaflet "Patented weldable clips".

Welding information

Lower part material : forged steel

DIN 17.100 - Wst.-Nr.: 1.0570 : St 52.3
 NFA 35-501 : E 36-3
 BS 4360 : 50 C
 EURONORM 10.025 : S 355 J 0

⁵ on the whole periphery

Electrodes :

DIN 1913 : E 51 55 B10 110
 AFNOR 81-309 : E 51 5/5 B 110 26 BH
 ISO 2560 : E 51 5B 110 26(H)
 ASME IIC SFA 5.1 : E 7018-1



CLIP



22/200

CLIP SELECTION FOR EACH RAIL							
	F mm	K mm	H mm	Weight kg/m	Mounting		
					with	without	
					pad		
A 75	200.0	75.0	85.0	56.20	22/200/BQ	-	
A 100	200.0	100.0	95.0	74.30	22/200/BQ	-	
A 120	220.0	120.0	105.0	100.00	22/200/BJ	-	
A 150	220.0	150.0	150.0	150.30	22/200/BJ	22/200/BQ	
MRS 51 (104 CR)	127.0	63.5	127.0	51.59	22/200/BQ	-	
MRS 52 (105 CR)	131.8	65.1	131.8	52.09	22/200/BQ	-	
MRS 85 (171 CR)	152.4	101.6	152.4	84.83	22/200/BJ	22/200/BQ	
MRS 87 A (PRI 85 R)	152.4	101.6	152.4	86.80	22/200/BJ	22/200/BQ	
MRS 87 B (175 CR)	152.4	102.4	152.4	86.80	22/200/BJ	-	
MRS 125	180.0	120.0	180.0	125.00	22/200/CQ	22/200/BJ	
MR 151 (PR 7)	220.0	150.0	150.0	151.30	22/200/BJ	22/200/BQ	
Vign 50 (U 50)	140.0	65.0	153.0	50.88	22/200/BQ	-	
Vign 52	150.0	65.0	150.0	52.34	22/200/BQ	-	
Vign 55	134.0	62.0	155.0	56.07	22/200/BJ	-	
S 49	125.0	67.0	149.0	49.43	22/200/BQ	-	
S 54	125.0	67.0	154.0	54.54	22/200/BQ	-	
S 64	150.0	74.0	172.0	64.92	22/200/BQ	-	
EB 50 T	140.0	72.0	151.0	50.10	22/200/BQ	-	
UIC 54	140.0	70.0	159.0	54.43	22/200/BQ	-	
UIC 60	150.0	72.0	172.0	60.34	22/200/BQ	-	
56 CR	171.0	76.0	101.5	56.81	22/200/BQ	-	
89 CR	178.0	102.0	114.0	89.81	22/200/BJ	22/200/BQ	
101 CR	165.0	100.0	155.0	100.38	22/200/CQ	22/200/BQ	
BS 113 A	139.7	69.9	158.8	56.40	22/200/BQ	-	
JIS 50 N	127.0	65.0	153.0	50.40	22/200/BQ	-	
CR 73	140.0	100.0	135.0	73.30	22/200/BJ	22/200/BQ	
CR 100	155.0	120.0	150.0	100.20	22/200/CQ	22/200/BQ	
AS 50	127.0	69.9	154.0	50.80	22/200/BQ	-	
AS 60	146.0	69.9	170.0	60.99	22/200/BQ	-	
AS 73 (MRS 73)	146.0	70.0	157.0	73.63	22/200/CQ	22/200/BQ	
AS 86 (MRS 86)	165.0	102.0	102.0	85.60	22/200/BJ	22/200/BQ	

For rail sections other than those listed on this page, please contact us.

We reserve the right to discontinue or change specifications or design at any time without prior notice and without incurring any obligation whatsoever.

Darusín Kft.

Hungary, 2400 Dunaújváros, Neumann J. u. 16 • Tel: +36 25 503 930 • Fax: +36 25 503 931
E-mail: darusin@darusin.hu • webpage: www.darusin.hu