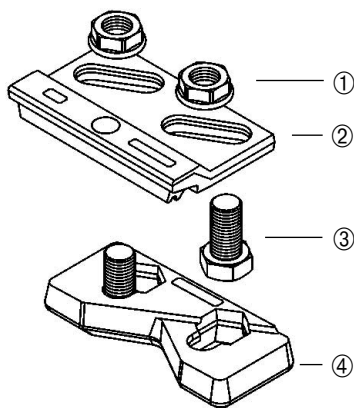


* For mounting on concrete + metallic plate, please contact us.

CLIPS	C max	Tightening torque	Admissible side load	Est'd weight
	mm	Nm	kN	kg
22/195/BN	39	275	200	3,400
22/195/CN	46			3,500

N : nose height, not compressed, adapted to the rail type (see table overleaf).

MOUNTING INFORMATION



Screws and nuts are hot dip galvanized.

Full designation	
22/195/BN or 22/195/CN	
Components	
①	2x Sp M20 - Cl. 8
②	1x 22/195/35/N or 22/195/42/N
③	2x TH M20 x 45 - DIN 933 - 8.8
④	1x 22/195/25

Anti-corrosion coating : see leaflet "Patented weldable clips".

Welding information

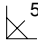
Lower part material : forged steel

DIN 17.100 - Wst.-Nr.: 1.0570 : St 52.3

NFA 35-501 : E 36-3

BS 4360 : 50 C

EURONORM 10.025 : S 355 J 0

 on the whole periphery. For mounting without pad, please contact us.

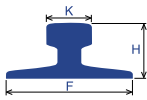
Electrodes :

DIN 1913 : E 51 55 B10 110

AFNOR 81-309 : E 51 5/5 B 110 26 BH

ISO 2560 : E 51 5B 110 26(H)

ASME IIC SFA 5.1 : E 7018-1

CLIP SELECTION FOR EACH RAIL						
	F mm	K mm	H mm	Weight kg/m	Mounting	
					with	without
					pad	
A 75	200.0	75.0	85.0	56.20	22/195/BJ	-
A 100	200.0	100.0	95.0	74.30	22/195/CQ	22/195/BQ
A 120	220.0	120.0	105.0	100.00	22/195/CQ	22/195/BQ
A 150	220.0	150.0	150.0	150.30	22/195/CQ	22/195/BJ
MRS 51 (104 CR)	127.0	63.5	127.0	51.59	22/195/CQ	22/195/BQ
MRS 52 (105 CR)	131.8	65.1	131.8	52.09	22/195/CQ	22/195/BQ
MRS 67 (135 CR)	131.8	76.2	146.0	66.97	22/195/CQ	22/195/BQ
MRS 85 (171 CR)	152.4	101.6	152.4	84.83	22/195/CQ	22/195/BQ
MRS 87 A (PRI 85 R)	152.4	101.6	152.4	86.80	22/195/CQ	22/195/BQ
MRS 87 B (175 CR)	152.4	102.4	152.4	86.80	22/195/CQ	22/195/BQ
MR 151 (PR 7)	220.0	150.0	150.0	151.30	22/195/CQ	22/195/BJ
Vign 50 (U 50)	140.0	65.0	153.0	50.88	22/195/CQ	22/195/BQ
Vign 52	150.0	65.0	150.0	52.34	22/195/BJ	-
Vign 55	134.0	62.0	155.0	56.07	22/195/CQ	22/195/BQ
S 49	125.0	67.0	149.0	49.43	22/195/BJ	22/195/BQ
S 54	125.0	67.0	154.0	54.54	22/195/CQ	22/195/BQ
S 64	150.0	74.0	172.0	64.92	22/195/CQ	22/195/BQ
EB 50 T	140.0	72.0	151.0	50.10	22/195/BJ	22/195/BQ
UIC 54	140.0	70.0	159.0	54.43	22/195/BJ	-
UIC 60	150.0	72.0	172.0	60.34	22/195/BJ	-
56 CR	171.0	76.0	101.5	56.81	22/195/BJ	-
89 CR	178.0	102.0	114.0	89.81	22/195/CJ	22/195/BJ
101 CR	165.0	100.0	155.0	100.38	22/195/CJ	22/195/BJ
BS 113 A	139.7	69.9	158.8	56.40	22/195/BJ	-
JIS 50 N	127.0	65.0	153.0	50.40	22/195/CQ	22/195/BQ
JIS 60	145.0	65.0	174.0	60.80	22/195/CQ	22/195/BQ
CR 73	140.0	100.0	135.0	73.30	22/195/CQ	22/195/BQ
CR 100	155.0	120.0	150.0	100.20	22/195/CJ	22/195/BJ
AS 50	127.0	69.9	154.0	50.80	22/195/BJ	22/195/BQ
AS 60	146.0	69.9	170.0	60.99	22/195/CQ	22/195/BQ
AS 73 (MRS 73)	146.0	70.0	157.0	73.63	22/195/CJ	22/195/BJ
AS 86 (MRS 86)	165.0	102.0	102.0	85.60	22/195/CQ	22/195/BQ

For rail sections other than those listed on this page, please contact us.

We reserve the right to discontinue or change specifications or design at any time without prior notice and without incurring any obligation whatsoever.

8Ufi Gb' ?Zh'

Hungary, 2400 Dunaújváros, Neumann J. u. 16 • Tel: +36 25 503 930 • Fax: +36 25 503 931
E-mail: darusin@darusin.hu • webpage: www.darusin.hu