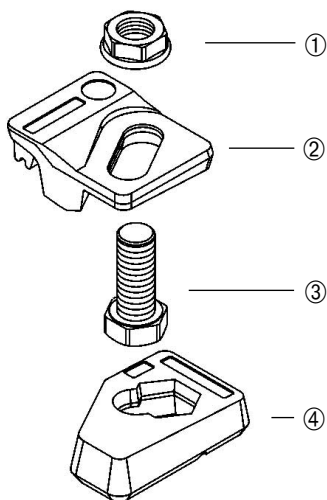


\* For mounting on concrete + metallic plate, please contact us.

CLIPS	C max	Tightening torque	Admissible side load	Est'd weight
	mm	Nm	kN	kg
21/125/AN	34	275	125	1,650
21/125/BN	41			1,700

N : nose height, not compressed, adapted to the rail type (see table overleaf).

**MOUNTING INFORMATION**



Screws and nuts are hot dip galvanized.

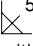
Full designation	
21/125/AN or 21/125/BN	
Components	
①	1x Sp M20 - Cl.8
②	1x 21/125/33/N or 21/125/38/N
③	1x TH M20 x 45 - DIN 933 - 8.8
④	1x 21/125/27

Anti-corrosion coating : see leaflet "Patented weldable clips".

**Welding information**

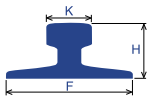
**Lower part material** : forged steel

DIN 17.100 - Wst.-Nr. : 1.0570 : St 52.3  
NFA 35-501 : E 36-3  
BS 4360 : 50 C  
EURONORM 10.025 : S 355 J 0

<sup>5</sup> on the whole periphery. For mounting without pad, please contact us.

**Electrodes :**

DIN 1913 : E 51 55 B10 110  
AFNOR 81-309 : E 51 5/5 B 110 26 BH  
ISO 2560 : E 51 5B 110 26(H)  
ASME IIC SFA 5.1 : E 7018-1

CLIP SELECTION FOR EACH RAIL							
	F mm	K mm	H mm	Weight kg/m	Mounting		
					with	without	
					pad		
A 75	200.0	75.0	85.0	56.20	21/125/BM	21/125/AM	
A 100	200.0	100.0	95.0	74.30	21/125/BM	21/125/AM	
A 120	220.0	120.0	105.0	100.00	21/125/BJ	21/125/AJ	
A 150	220.0	150.0	150.0	150.30	21/125/BI	21/125/AI	
MRS 51 (104 CR)	127.0	63.5	127.0	51.59	21/125/BJ	21/125/AJ	
MRS 52 (105 CR)	131.8	65.1	131.8	52.09	21/125/BM	21/125/AM	
MRS 67 (135 CR)	131.8	76.2	146.0	66.97	21/125/BM	21/125/AM	
MRS 85 (171 CR)	152.4	101.6	152.4	84.83	21/125/BI	21/125/AI	
MRS 87 A (PRI 85 R)	152.4	101.6	152.4	86.80	21/125/BI	21/125/AI	
MRS 87 B (175 CR)	152.4	102.4	152.4	86.80	21/125/BJ	21/125/AJ	
MR 151 (PR 7)	220.0	150.0	150.0	151.30	21/125/BI	21/125/AI	
Vign 46 (U 33)	134.0	62.0	145.0	46.36	21/125/BM	21/125/AM	
Vign 50 (U 50)	140.0	65.0	153.0	50.88	21/125/BM	21/125/AM	
Vign 55	134.0	62.0	155.0	56.07	21/125/BJ	21/125/AJ	
S 49	125.0	67.0	149.0	49.43	21/125/BM	21/125/AM	
S 54	125.0	67.0	154.0	54.54	21/125/BM	21/125/AM	
S 64	150.0	74.0	172.0	64.92	21/125/BM	21/125/AM	
GX 42	131.8	65.1	131.8	42.16	21/125/AI	-	
EB 50 T	140.0	72.0	151.0	50.10	21/125/BM	21/125/AM	
UIC 54	140.0	70.0	159.0	54.43	21/125/BM	21/125/AM	
UIC 60	150.0	72.0	172.0	60.34	21/125/BM	21/125/AM	
56 CR	171.0	76.0	101.5	56.81	21/125/BM	21/125/AM	
89 CR	178.0	102.0	114.0	89.81	21/125/BH	21/125/AH	
BS 113 A	139.7	69.9	158.8	56.40	21/125/BM	21/125/AM	
JIS 40 N	122.0	64.0	140.0	40.90	21/125/AJ	-	
JIS 50 N	127.0	65.0	153.0	50.40	21/125/BM	21/125/AM	
JIS 60	145.0	65.0	174.0	60.80	21/125/BJ	21/125/AJ	
CR 73	140.0	100.0	135.0	73.30	21/125/BI	21/125/AI	
AS 41	127.0	63.5	137.0	40.72	21/125/BM	21/125/AM	
AS 50	127.0	69.9	154.0	50.80	21/125/BM	21/125/AM	
AS 60	146.0	69.9	170.0	60.99	21/125/BM	21/125/AM	
AS 86 (MRS 86)	165.0	102.0	102.0	85.60	21/125/BI	21/125/AI	

For rail sections other than those listed on this page, please contact us.

*We reserve the right to discontinue or change specifications or design at any time without prior notice and without incurring any obligation whatsoever.*

**8Ufi Gb' ?Zh'**

Hungary, 2400 Dunaújváros, Neumann J. u. 16 • Tel: +36 25 503 930 • Fax: +36 25 503 931  
E-mail: darusin@darusin.hu • webpage: www.darusin.hu