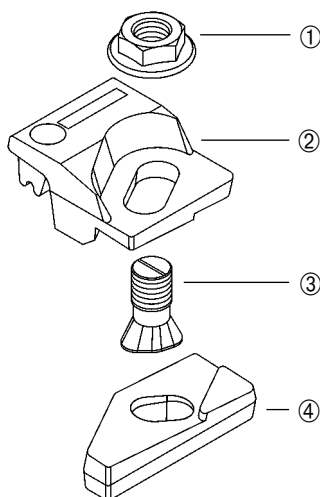


* For mounting on concrete + metallic plate, please contact us.

CLIPS	C max	Tightening torque	Admissible side load	Est'd weight
	mm	Nm	kN	kg
21/050/AN	29	150	50	0,650
21/050/BN	36			0,750

N : nose height, not compressed, adapted to the rail type (see table overleaf).

MOUNTING INFORMATION



Bolts and nuts are hot dip galvanized.

Full designation	
21/050/AN or 21/050/BN	
Components	
①	1x Sp M16 - Cl.8
②	1x 21/050/26/N or 21/050/33/N
③	1x TC M16 x 36 - 8.8
④	1x 21/050/16

Welding information

Lower part material : forged steel
 DIN 17.100 - Wst.Nr. 1.0570: St 52.3
 NFA 35-501 : E 36-3
 BS 4360 : 50 C
 EURONORM 10.025 : S 355 J 0

⊗⁴ on the whole periphery

Electrodes :

DIN 1913 : E 51 55 B10 110
 AFNOR 81-309 : E 51 5/5 B 110 26 BH
 ISO 2560 : E 51 5B 110 26 (H)
 ASME IIC SFA 5.1 : E 7018-1

Anti-corrosion coating : see leaflet "Patented weldable clips".



CLIP



21/050

CLIP SELECTION FOR EACH RAIL

	F mm	K mm	H mm	Weight kg/m	Mounting	
					with	without
					pad	
A 45	125.0	45.0	55.0	22.10	21/050/BP	21/050/AP
A 55	150.0	55.0	65.0	31.80	21/050/BL	21/050/AL
A 65	175.0	65.0	75.0	43.10	21/050/BL	21/050/AL
A 75	200.0	75.0	85.0	56.20	21/050/BJ	21/050/AJ
A 100	200.0	100.0	95.0	74.30	21/050/BJ	21/050/AJ
MRS 51 (104 CR)	127.0	63.5	127.0	51.59	21/050/BI	21/050/AI
MRS 52 (105 CR)	131.8	65.1	131.8	52.09	21/050/BJ	21/050/AJ
MRS 67 (135 CR)	131.8	76.2	146.0	66.97	21/050/BI	21/050/AI
Vign 30	106.0	56.0	125.5	29.98	21/050/BP	21/050/AP
Vign 36	115.0	58.2	128.0	36.54	21/050/BJ	21/050/AJ
Vign 46 (U 33)	134.0	62.0	145.0	46.36	21/050/BJ	21/050/AJ
Vign 50 (U 50)	140.0	65.0	153.0	50.88	21/050/BJ	21/050/AJ
Vign 52	150.0	65.0	150.0	52.34	21/050/BL	21/050/AL
Vign 55	134.0	62.0	155.0	56.07	21/050/BH	21/050/AH
S 30	108.0	60.3	108.0	30.03	21/050/BL	21/050/AL
S 33	105.0	58.0	134.0	33.47	21/050/BL	21/050/AL
S 34	117.5	61.9	117.5	34.72	21/050/BL	21/050/AL
S 41/10	125.0	67.0	138.0	41.38	21/050/BL	21/050/AL
S 49	125.0	67.0	149.0	49.43	21/050/BJ	21/050/AJ
S 54	125.0	67.0	154.0	54.54	21/050/BI	21/050/AI
S 64	150.0	74.0	172.0	64.92	21/050/BI	21/050/AI
GX 40	127.0	63.5	127.0	39.80	21/050/BL	21/050/AL
GX 42	131.8	65.1	131.8	42.16	21/050/BL	21/050/AL
EB 50 T	140.0	72.0	151.0	50.10	21/050/BJ	21/050/AJ
UIC 54	140.0	70.0	159.0	54.43	21/050/BJ	21/050/AJ
UIC 60	150.0	72.0	172.0	60.34	21/050/BJ	21/050/AJ
BS 50 "O"	100.0	52.4	100.0	24.83	21/050/BP	21/050/AP
56 CR	171.0	76.0	101.5	56.81	21/050/BJ	21/050/AJ
BS 113 A	139.7	69.9	158.8	56.40	21/050/BJ	21/050/AJ
JIS 30 (ASCE 60,S 30)	108.0	60.3	108.0	30.03	21/050/BL	21/050/AL
JIS 37	122.2	62.7	122.2	37.20	21/050/BL	21/050/AL
JIS 40 N	122.0	64.0	140.0	40.90	21/050/BL	21/050/AL
JIS 50 N	127.0	65.0	153.0	50.40	21/050/BI	21/050/AI
JIS 60	145.0	65.0	174.0	60.80	21/050/BH	21/050/AH
AS 22	93.7	50.8	93.7	22.90	21/050/BP	21/050/AP
AS 31	108.0	63.5	117.0	31.51	21/050/BL	21/050/AL
AS 41	127.0	63.5	137.0	40.72	21/050/BL	21/050/AL
AS 50	127.0	69.9	154.0	50.80	21/050/BJ	21/050/AJ
AS 60	146.0	69.9	170.0	60.99	21/050/BJ	21/050/AJ

For rail sections other than those listed on this page, please contact us.

We reserve the right to discontinue or change specifications or design at any time without prior notice and without incurring any obligation whatsoever.

Darusín Kft.

Hungary, 2400 Dunaújváros, Neumann J. u. 16 • Tel: +36 25 503 930 • Fax: +36 25 503 931
E-mail: darusin@darusin.hu • webpage: www.darusin.hu