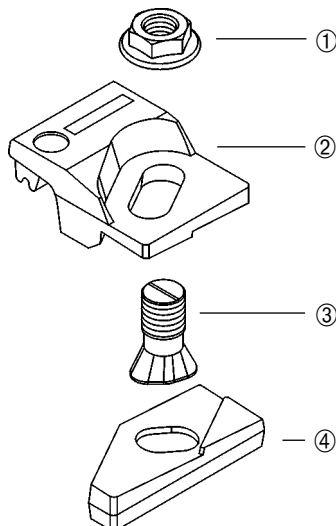


\* For mounting on concrete + metallic plate, please contact us.

CLIPS	C max	Tightening torque	Admissible side load	Est'd weight
	mm	Nm	kN	kg
21/020/AN	23	60	20	0,260
21/020/BN	27			0,280

N : nose height, not compressed, adapted to the rail type (see table overleaf).

**MOUNTING INFORMATION**



Bolts and nuts are hot dip galvanized.

Full designation	
21/020/AN or 21/020/BN	
Components	
①	1x M12 - DIN 6923 - Cl.8
②	1x 21/020/21/N or 21/020/25/N
③	1x TC M12 x 29 - 8.8
④	1x 21/020/13

Anti-corrosion coating : see leaflet "Patented weldable clips".

**Welding information**


**Lower part material** : forged steel

DIN 17.100 - Wst.Nr. 1.0570: St 52.3

NFA 35-501 : E 36-3

BS 4360 : 50 C

EURONORM 10.025 : S 355 J 0

<sup>3</sup> on the whole periphery

**Electrodes :**

DIN 1913 : E 51 55 B10 110

AFNOR 81-309 : E 51 5/5 B 110 26 BH

ISO 2560 : E 51 5B 110 26 (H)

ASME IIC SFA 5.1 : E 7018-1



CLIP

**GANTREX**<sup>®</sup>

21/020

**CLIP SELECTION FOR EACH RAIL**

	F	K	H	Weight kg/m	Mounting	
					with	without
					4 mm pad	
A 45	125.0	45.0	55.0	22.10	21/020/BI	21/020/AI
A 55	150.0	55.0	65.0	31.80	21/020/BI	21/020/AI
Vign 30	106.0	56.0	125.5	29.98	21/020/BI	21/020/AI
S 30	108.0	60.3	108.0	30.03	21/020/BH	21/020/AH
S 33	105.0	58.0	134.0	33.47	21/020/BH	21/020/AH
S 34	117.5	61.9	117.5	34.72	21/020/BH	21/020/AH
S 41/10	125.0	67.0	138.0	41.38	21/020/BH	21/020/AH
GX 40	127.0	63.5	127.0	39.80	21/020/BI	21/020/AI
GX 42	131.8	65.1	131.8	42.16	21/020/BH	21/020/AH
JIS 30 (ASCE 60,S 30)	108.0	60.3	108.0	30.03	21/020/BH	21/020/AH
JIS 37	122.2	62.7	122.2	37.20	21/020/BH	21/020/AH
JIS 40 N	122.0	64.0	140.0	40.90	21/020/BI	21/020/AI
AS 22	93.7	50.8	93.7	22.90	21/020/BI	21/020/AI
AS 31	108.0	63.5	117.0	31.51	21/020/BI	21/020/AI

For rail sections other than those listed on this page, please contact us.

*We reserve the right to discontinue or change specifications or design at any time without prior notice and without incurring any obligation whatsoever.*

**Darusín Kft.**

Hungary, 2400 Dunaújváros, Neumann J. u. 16 • Tel: +36 25 503 930 • Fax: +36 25 503 931

E-mail: [darusin@darusin.hu](mailto:darusin@darusin.hu) • webpage: [www.darusin.hu](http://www.darusin.hu)